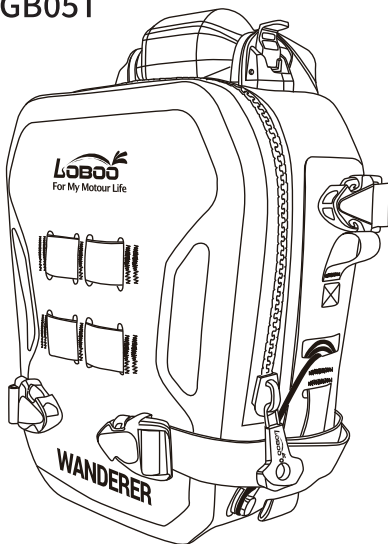




# Motorcycle Safety Crash Bar Bag User Manual

Model: BHGB05T



Please read the manual and related after-sales service terms carefully before use. Incorrect installation and use can damage the product, significantly affect safe driving, and lose related free warranty services.



Scan QR Code To Watch  
The Installation Video

## Product Features

Model: BHGB05T

Capacity: 6 L/bag

Dimensions: Length 230mm(9.06" ) \* Width 100mm(3.94" ) \* Height 330mm(13" )  
(including one-way inflation valve)

Material: TPU, 840D nylon fabric, nylon

One-way inflation valve material: nylon, silicone










Anti-theft rope material: stainless steel, nylon

Inflation state bearing capacity:  $\geq 300\text{kg}$  (661.39lbs)

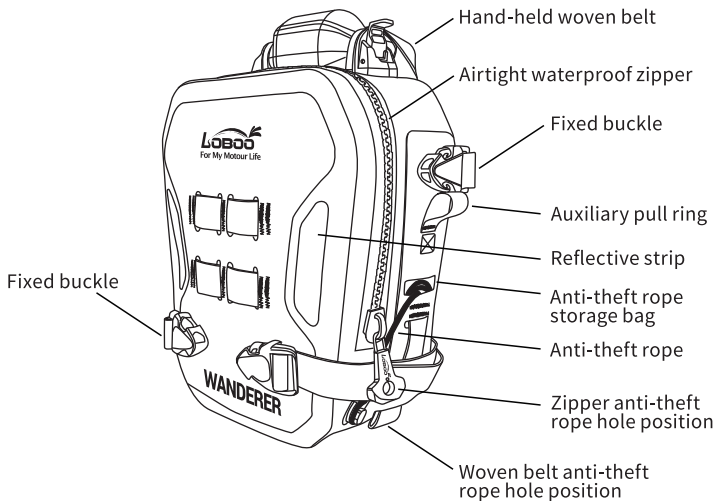
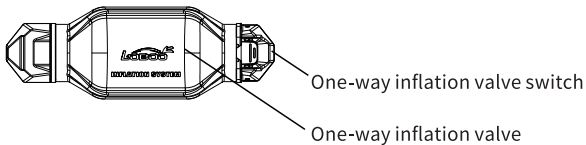
Inflation protection function single use duration:  $\geq 6$  hours

Compatible guard: pipe diameter must be 25mm(1" )

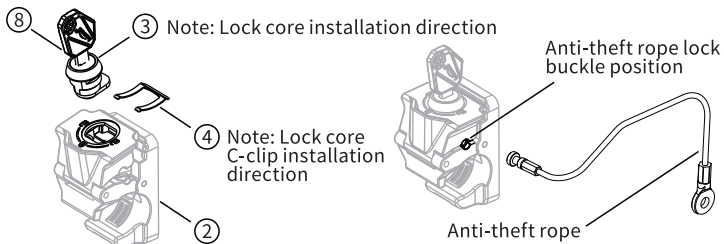
## Accessories List

Serial Number	Name	Diagram	Quantity	Remarks
①	Motorcycle Safety Guard Bag		2 pcs	Left bag 1 pc Right bag 1 pc
②	Motorcycle Safety Guard Bag Fastener		2 pcs	
③	Lock Core		2 pcs	
④	Lock Core C-clip		2 pcs	
⑤	M6*10 Hexagon Socket Flat Round Head Screw		2 pcs	Torque: 12N·m(8.85Ft-lb)
⑥	Screw Glue		1 pc	
⑦	4mm(4" ) Hex Key		1 pc	
⑧	Key		2 pcs	
⑨	Zipper Lubricant		1 pc	

## Product Function Display

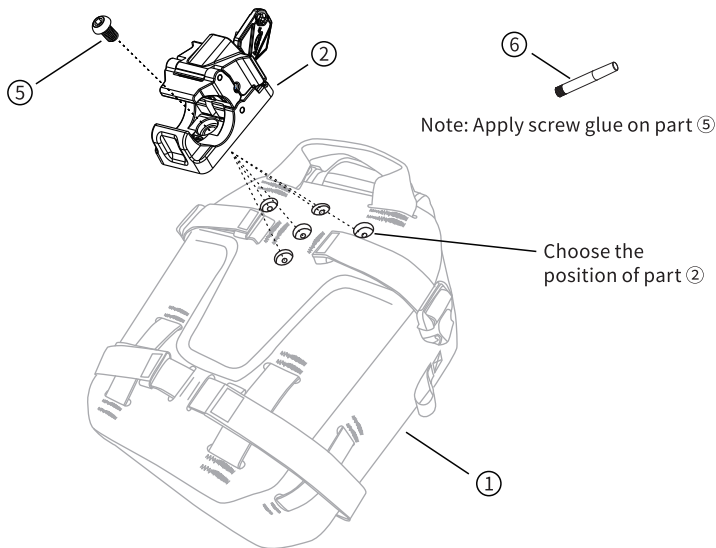


## Motorcycle Safety Crash Bar Bag Lock Core Installation Illustration



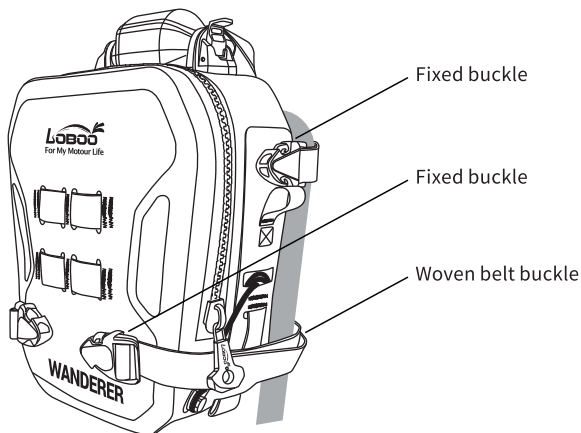
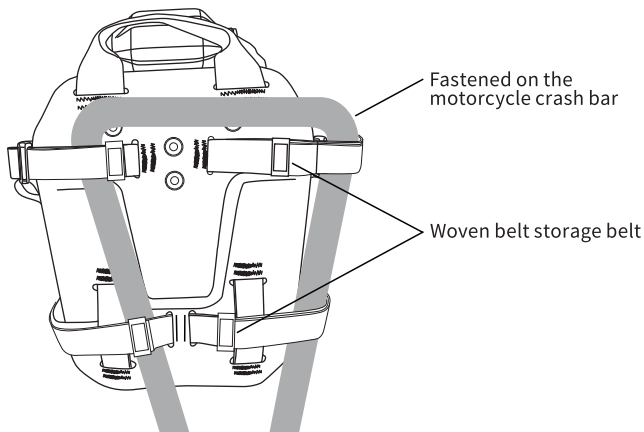
## Motorcycle Safety Guard Bag Installation Illustration

1. Choose the position of part ② according to the motorcycle crash bar used by different models, put in part ⑤, and tighten part ②. (Torque:  $12\text{N}\cdot\text{m}$ [8.85Ft-lb])

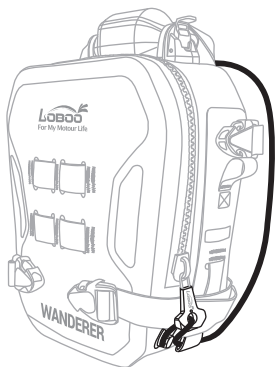




2. Fasten part ② on the motorcycle crash bar. Adjust the woven belt buckle to pass through the motorcycle guard according to the position of the motorcycle guard, fasten the woven belt buckle to the fixed buckle, adjust the length of the woven belt storage belt and stick the Velcro.

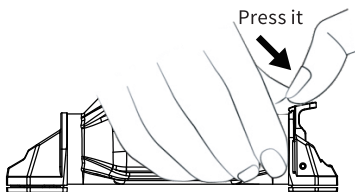


## Anti-theft rope use illustration



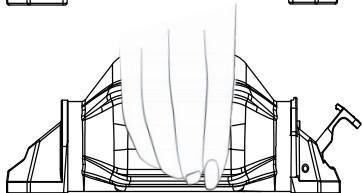
1. Pass the anti-theft rope through the hole position of the zipper head of the airtight waterproof zipper.
2. Pass the anti-theft rope through the hole position of the woven belt anti-theft rope.
3. The lock buckle of the anti-theft rope is carded in the lock slot of the fixed buckle anti-theft rope lock buckle position, and the lock core is locked.

## One-way inflation valve use illustration

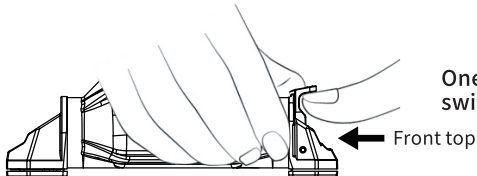


Note: Please operate as shown in the figure. Improper operation will damage the one-way inflation valve.

### One-way inflation valve switch opening illustration

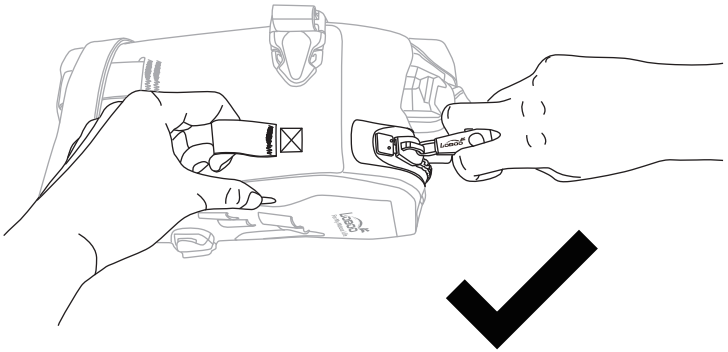


### One-way inflation valve repeated squeezing illustration

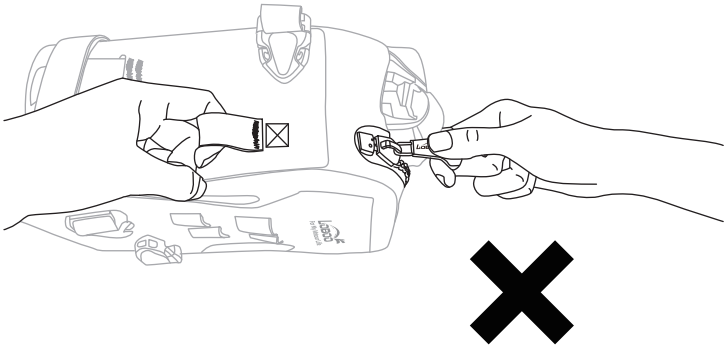


### One-way inflation valve switch closing illustration

## Airtight waterproof zipper use illustration



One hand's index finger + middle finger pinch the zipper head, let the zipper and the auxiliary pull ring be in a horizontal state, and at the same time, the other hand hooks the auxiliary pull ring.



Pinching the zipper head and pulling directly will cause slippage, unable to exert force correctly, and it is difficult to open the zipper.

## Precautions for use

- 1. When using the inflation system of the guard bag, please tighten the zipper after loading the luggage, open the one-way inflation valve switch, repeatedly squeeze the one-way inflation valve (when squeezing, please wait for the one-way inflation valve to recover before continuing to squeeze), inflate to full effect After that, close the one-way inflation valve switch, no need to inflate to positive pressure, can maintain a full state for more than 6 hours after inflation.**
2. During riding, if there is a large change in altitude, please adjust the inflation status of the motorcycle safety guard bag in time (need to inflate or deflate).
3. Please use neutral detergent when cleaning, and it is strictly forbidden for acidic and alkaline liquids to contact any part of this product.
4. The anti-theft rope only supports the LOBOO motorcycle safety guard bag fixed buckle anti-theft rope lock buckle lock, and only provides primary anti-theft performance, and cannot be used as the main anti-theft method.
5. To ensure the service life of the airtight waterproof zipper, if there is mud, sand or foreign objects in the airtight waterproof zipper during use, please clean it before use, and regularly use LOBOO airtight waterproof zipper special lubricant for maintenance.
6. In order to ensure the protective performance and waterproof performance of the crash bar bag, please pull the zipper to the end when using.

# After-sales service guarantee card



Please read this after-sales service guarantee card carefully. If you cannot accept it, please contact the dealer for return and exchange in time. Installation and use means acceptance of this after-sales service term.

## After-sales Service Terms

1. One-year free warranty period, this product can enjoy free repair service within one year from the date of sale if there are quality problems under normal circumstances.
2. Limited warranty: After the one-year warranty period expires, LOBOO will provide paid warranty service, the cost is based on the actual replacement material cost, and no labor cost is charged separately.

## Free warranty service does not include the following

1. No warranty card or cannot provide valid purchase proof.
2. Improper installation, use, man-made or accidental damage, self-disassembly, self-modification and repair, etc.

## Return and Exchange Information

Platform ID: \_\_\_\_\_ Order Number: \_\_\_\_\_

Contact Name: \_\_\_\_\_ Contact Phone: \_\_\_\_\_

Return Address: \_\_\_\_\_

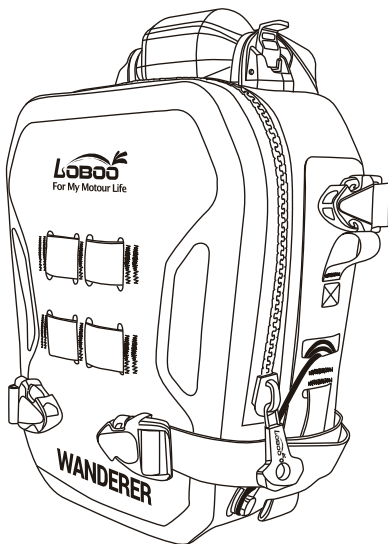
## After-sales Matters

Please keep this card properly and send it back with the product (copy is valid)



# 摩托车安全护杠包使用说明

型号: BHGB05T



\*使用前请仔细阅读说明书及相关售后服务条款, 错误的安装和使用方式会损坏本产品或对安全行车造成重大影响并失去相关的免费保修服务。



扫码观看安装  
使用教程视频

## 产品特性

型号: BHGB05T

容量: 6升/个

外观尺寸: 长230mm\*宽100mm\*高330mm (含单向充气阀)

材质: TPU、840D尼龙面料、尼龙

单向充气阀材质: 尼龙、硅胶

防盗绳材质: 不锈钢、尼龙

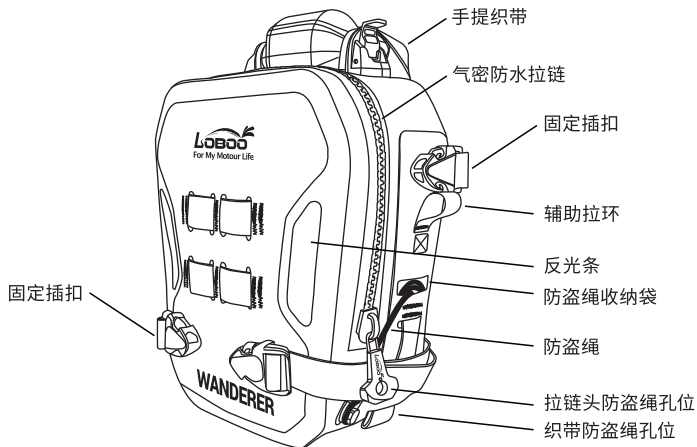
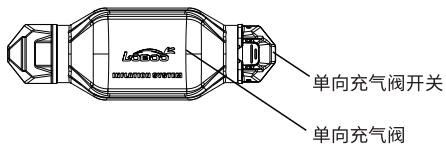
充气状态承受力:  $\geq 300\text{KG}$

充气防护功能单次使用维持时间:  $\geq 6$ 小时

兼容护杠: 管径须为25mm

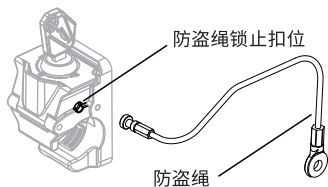
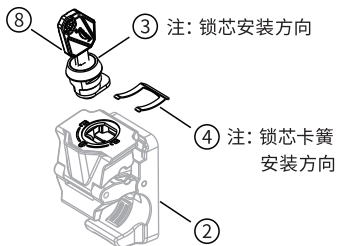
## 配件清单

序号	名称	图例	数量	备注
①	摩托车安全护杠包		2个	左边包1个 右边包1个
②	摩托车安全护杠包固定扣		2个	
③	锁芯		2个	
④	锁芯卡簧		2个	
⑤	M6*10内六角平圆头螺丝		2个	扭力: 12N·m
⑥	螺丝胶		1支	
⑦	4mm内六角扳手		1个	
⑧	钥匙		2把	
⑨	拉链润滑剂		1支	



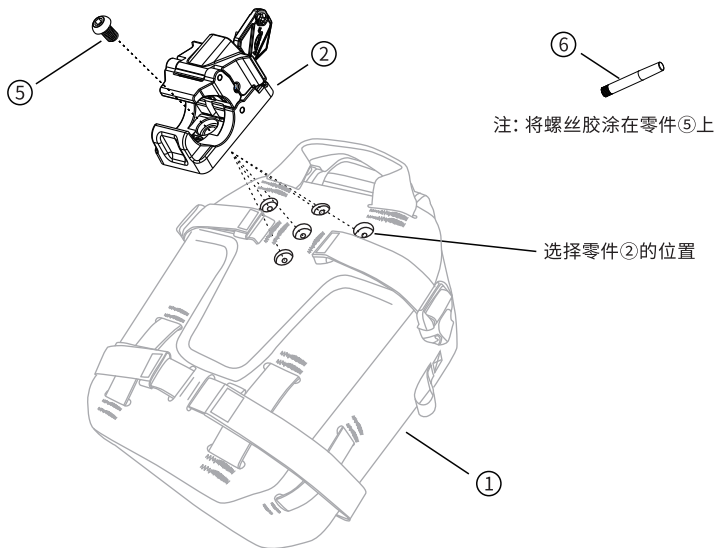


## 摩托车安全护杠包固定扣锁芯安装图示

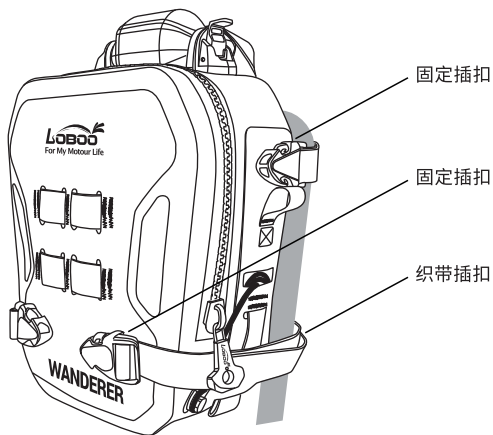
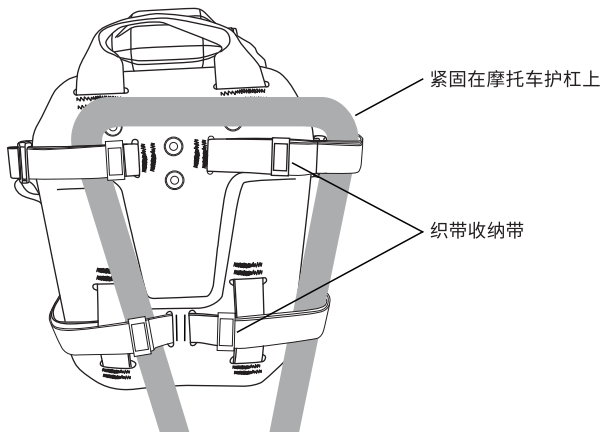


## 摩托车安全护杠包安装图示

1. 根据不同车型使用的摩托车护杠选择零件②的位置，放入零件⑤，并紧固零件②。  
(扭力：12N·m)



2. 将零件②紧固在摩托车护杠上。根据摩托车护杠位置调整织带插扣穿过摩托车护杠，将织带插扣紧固到固定插扣上，调整织带收纳带长度并粘合魔术贴。

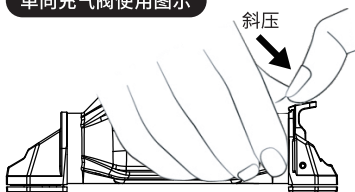


## 防盗绳使用图示



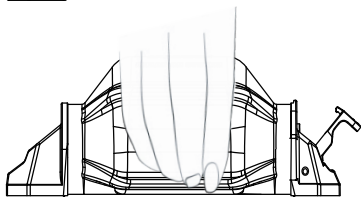
1. 将防盗绳穿过气密防水拉链的拉链头孔位。
2. 将防盗绳穿过织带防盗绳孔位。
3. 将防盗绳的锁扣卡在固定扣防盗绳锁止扣位的锁止槽内, 并将锁芯锁止。

## 单向充气阀使用图示

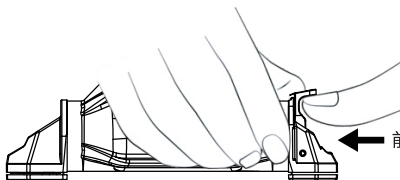


注意: 请按图示操作使用, 不当操作使用, 会损坏单向充气阀。

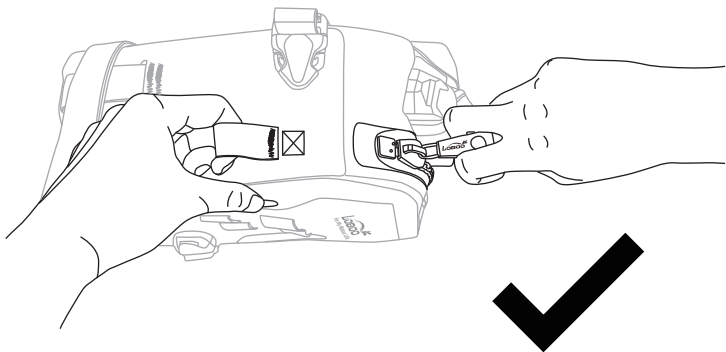
## 单向充气阀开关打开图示



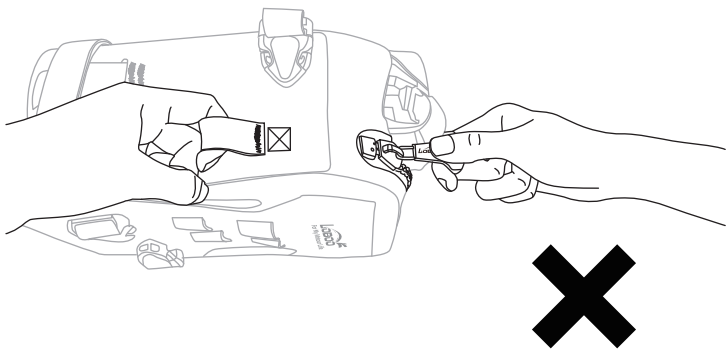
## 单向充气阀反复挤压图示



## 单向充气阀开关关闭图示



一只手食指+中指夹紧勾住拉链头，让拉链与辅助拉环成水平状态，同时另一只手勾住辅助拉环。



捏住拉链头直接拉拽会导致打滑，无法正确发力，拉链打开困难。

## 使用注意事项

1. 护杠包充气系统使用时,请在装载行李后,拉紧拉链,打开单向充气阀开关,反复挤压单向充气阀(挤压时,请待单向充气阀形态恢复后,继续挤压),充气至饱满效果后,关闭单向充气阀开关,无需充气至正压,充气后可保持饱满状态6小时以上。
2. 骑行过程中,如遇海拔变化较大的情况,请及时调整摩托车安全护杠包的充气状态(需充气或放气)。
3. 清洁时请使用中性清洁剂,严禁酸碱性液体接触本产品的任何部位。
4. 防盗绳仅支持LOBOO摩托车安全护杠包固定扣防盗绳锁扣锁止,并仅提供初级防盗性能,不能作为主要防盗方式应用。
5. 为保证气密防水拉链的使用寿命,使用时气密防水拉链如有泥沙或异物,请清洁后再使用,并定期使用LOBOO气密防水拉链专用润滑剂对气密防水拉链进行保养。
6. 为了保证护杠包的防护性能及防水性能,使用时请把拉链拉至尽头。

# 售后服务保障卡



请仔细阅读本售后服务保障卡，如不能接受，请及时联系经销商退换货，安装并使用即表示接受此售后服务条款。

## 售后服务条款

1. 1年免费保修期，此款产品自售出之日起1年内，在正常情况下出现质量问题可享受免费维修服务。
2. 有限保修：1年保修时间到期后，LOBOO将提供有偿保修服务，费用以实际更换材料费用为准，不另收取人工费用。

## 免费保修服务不包括以下内容

1. 无保修卡或不能提供有效购买凭证。
2. 安装、使用不当、人为或意外损坏、自行拆解、自行改装和维修等。

## 退换货信息

平台ID: \_\_\_\_\_ 订单编号: \_\_\_\_\_

联系人姓名: \_\_\_\_\_ 联系人电话: \_\_\_\_\_

回寄地址: \_\_\_\_\_

## 售后事项

请妥善保管好此卡并与产品一起寄回（复印件有效）

128G双面铜版纸，风琴折印刷，英文在前，  
中文在后，单页尺寸105\*148.5mm