

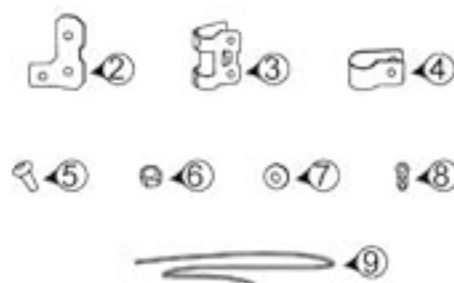
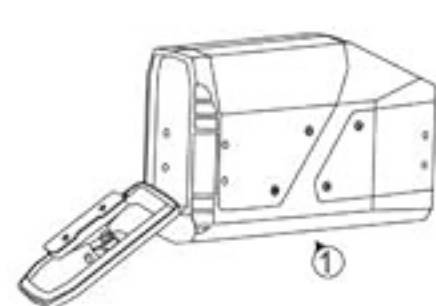
### BEFORE YOU BEGIN

1. Read these instructions and check to be sure all parts and tools are accounted for.
2. Please retain these installation instructions for future reference and parts ordering information.

### IMPORTANT

1. Please read the installation instructions carefully before you start.
2. If the motorcycle is clean and free of other debris, it will be easy to install.
3. For your safety and to ensure a satisfactory installation, please complete all the installation steps in the order shown below.

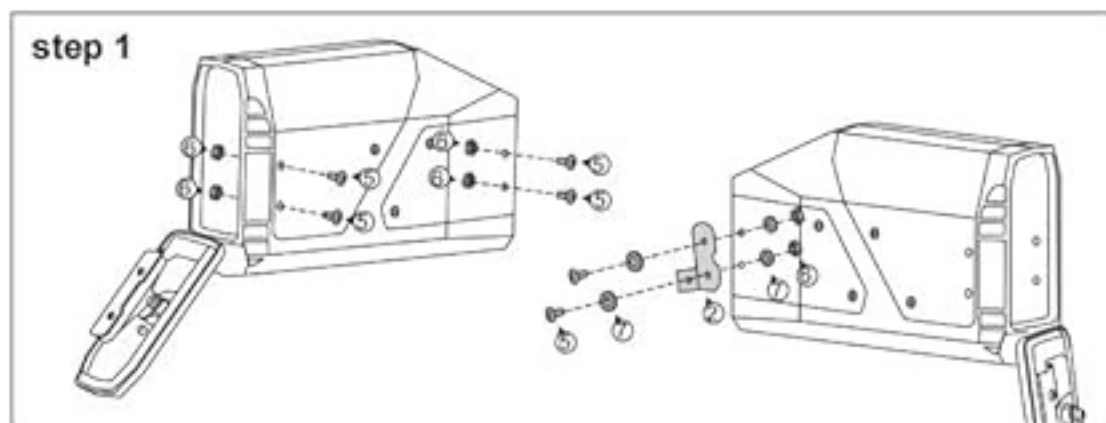
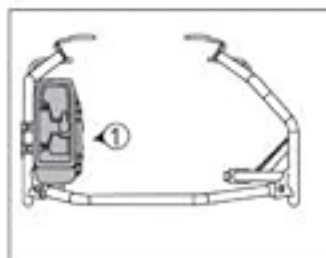
### PRODUCT INFORMATION:



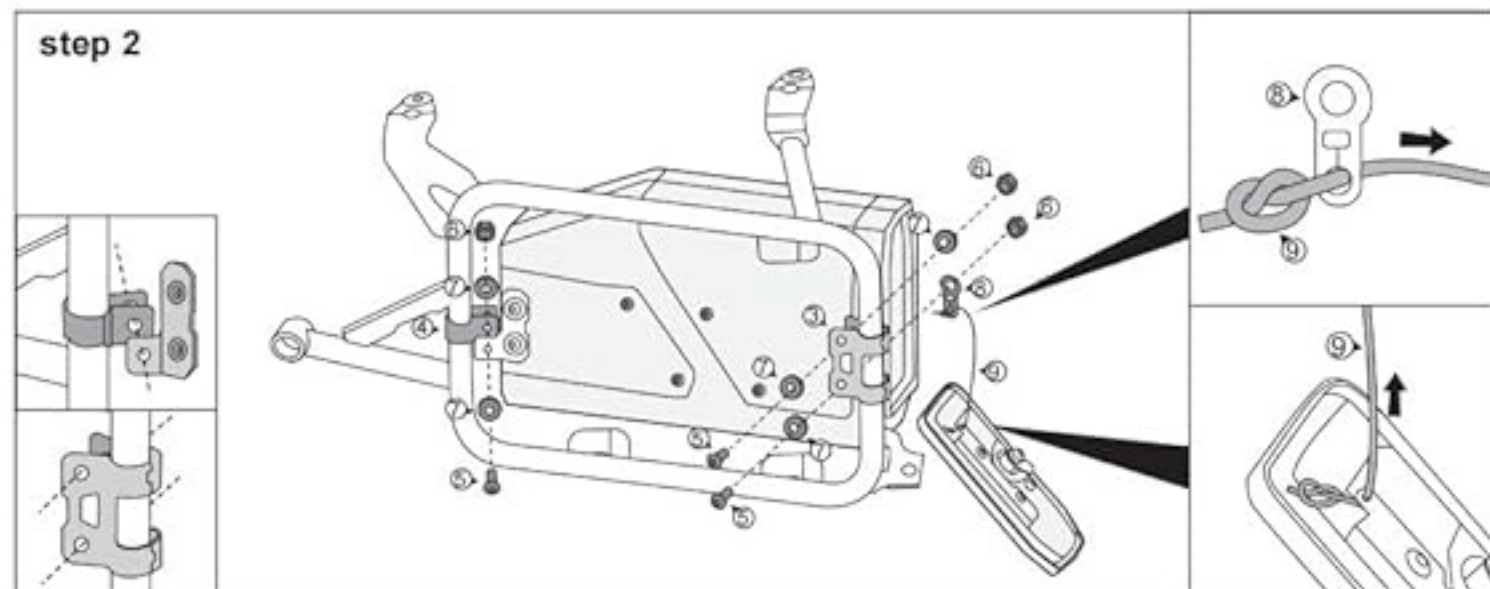
1. Tool box	x1
2. Bracket-1	x1
3. Bracket-2	x1
4. Bracket-3	x1
5. M6 Screw	x9
6. M6 Nut	x9
7. M6 Washer	x9
8. Cover safety rope lock piece	x1
9. Safety rope	x1

### INSTALLATION TIPS:

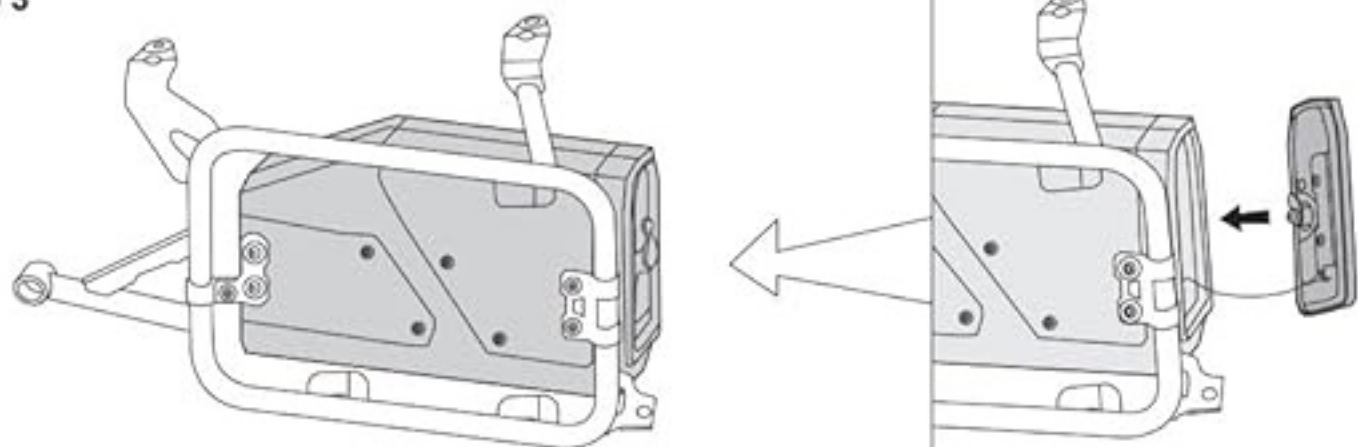
#### ASSEMBLY LEFT SIDE



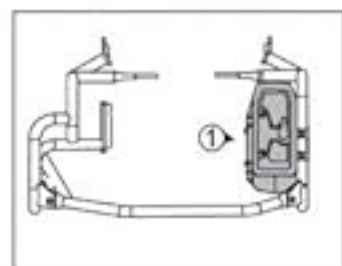
#### step 2



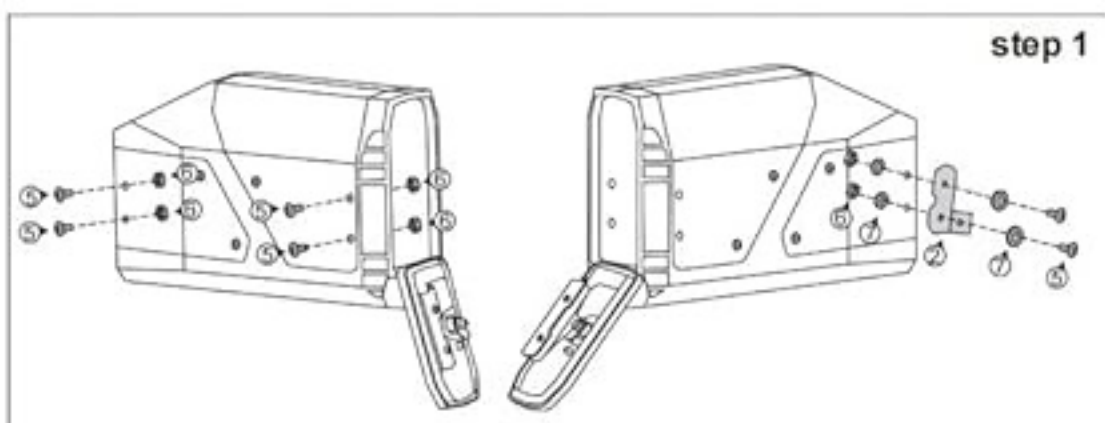
step 3



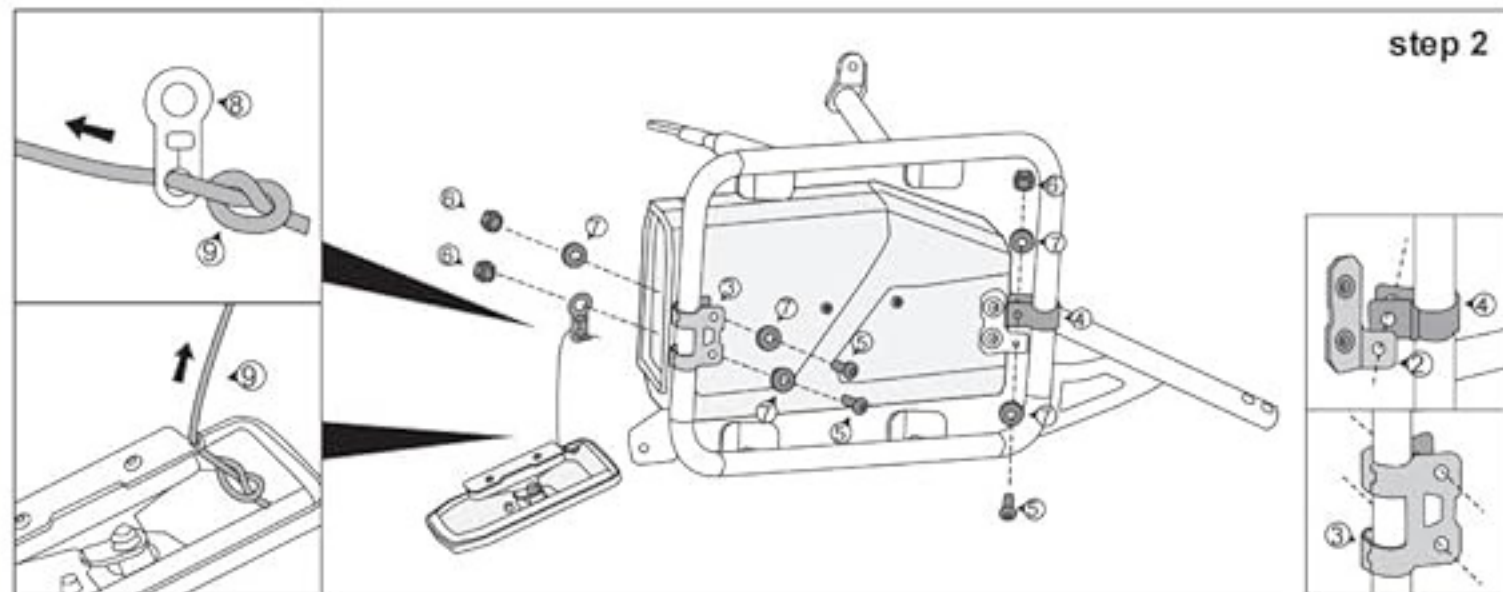
ASSEMBLY RIGHT SIDE



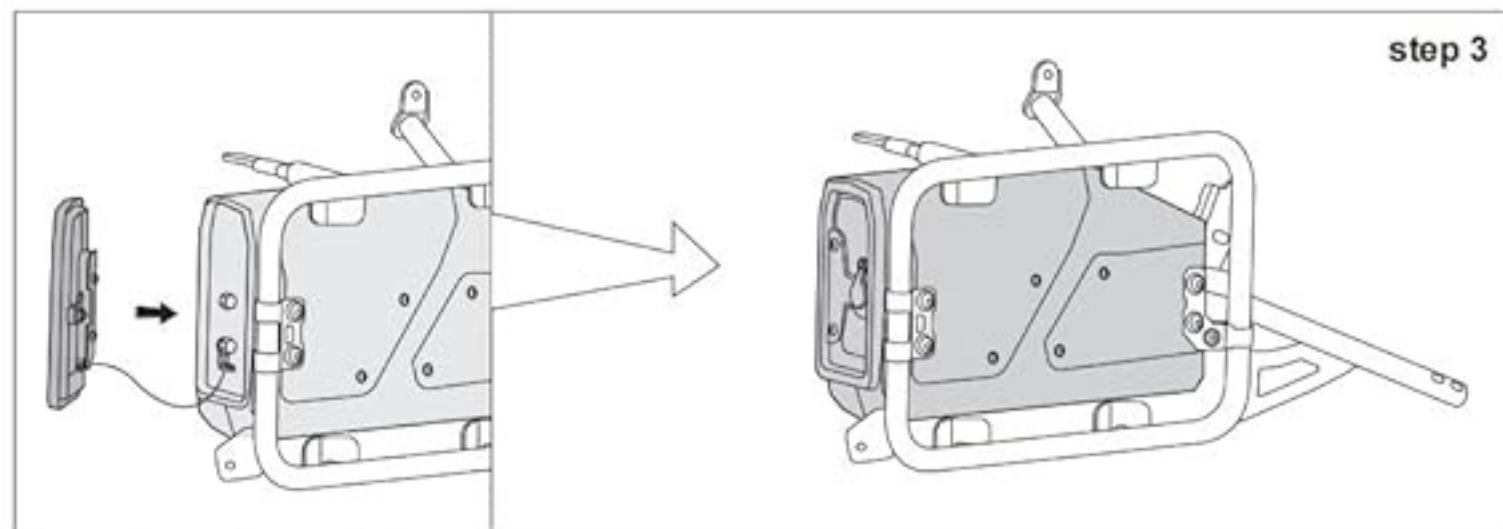
step 1



step 2



step 3





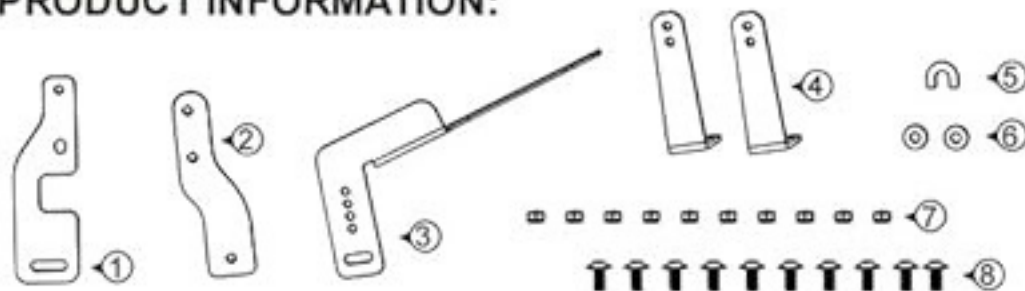
### BEFORE YOU BEGIN

1. Read these instructions and check to be sure all parts and tools are accounted for.
2. Please retain these installation instructions for future reference and parts ordering information.

### IMPORTANT

1. Please read the installation instructions carefully before you start.
2. If the motorcycle is clean and free of other debris, it will be easy to install.
3. For your safety and to ensure a satisfactory installation, please complete all the installation steps in the order shown below.

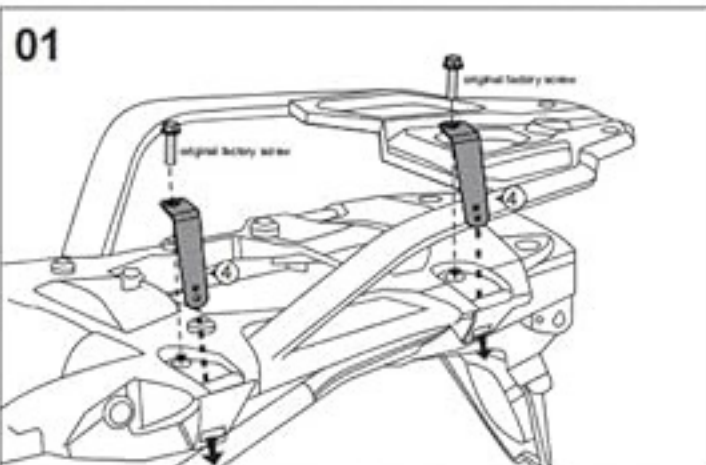
### PRODUCT INFORMATION:



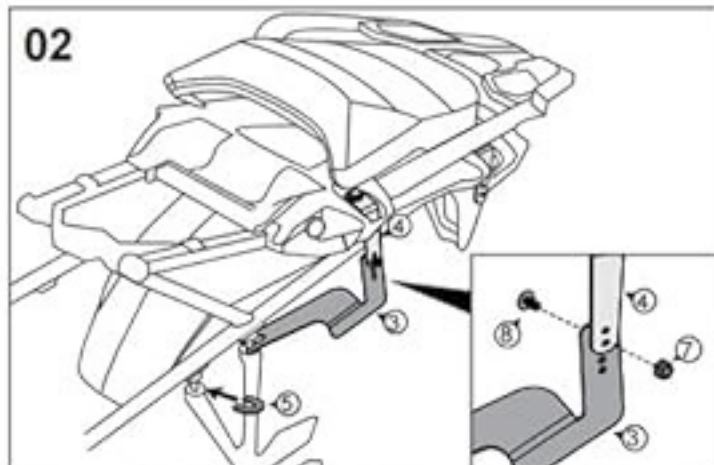
1. Bracket-1	x1
2. Bracket-2	x1
3. Bracket-3	x1
4. Bracket-4	x2
5. U-Shaped Washer	x1
6. M6 Washer (Only for F1703-07801)	x2
7. M6*15 Nut	x10
8. M6 Screw	x10

### INSTALLATION TIPS:

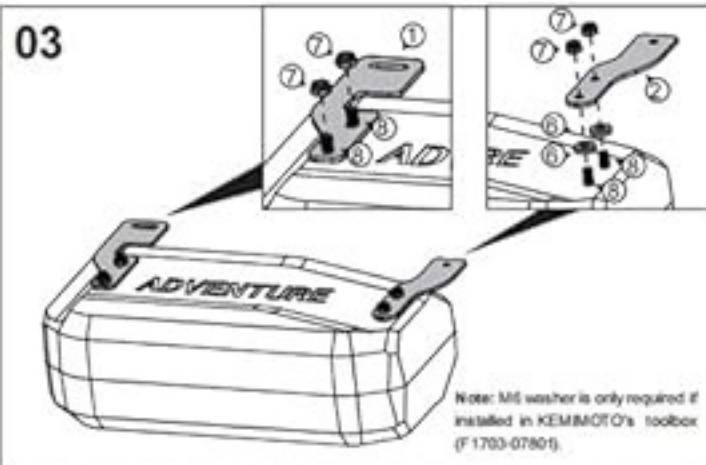
Bracket fit for both F1703-00101 and F1703-07801 tool box.



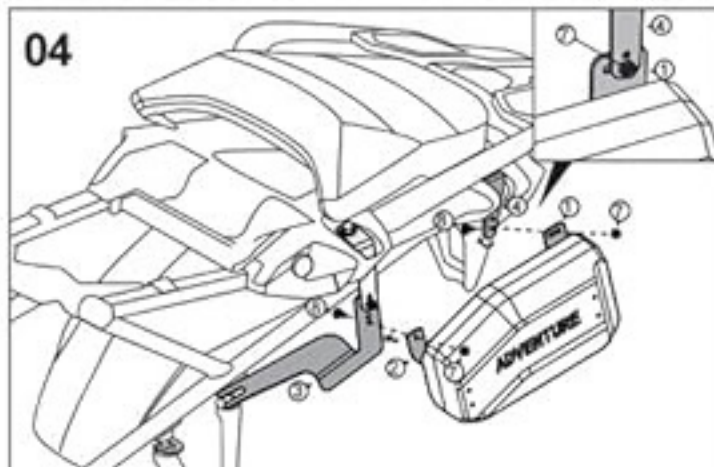
1. Install the two brackets-4 [4] on the screw holes of the rear seat.



2. Install the U-shaped washer [5] and bracket-3 [3] on the screw position of the motorcycle support frame and lock it, then install the nut [7] and M6 screw [8] to lock bracket-3 [3] and bracket-4 [4].



3. As shown in the figure, first use two screws [8] to install bracket-1 [1], use two nuts and two M6 washer [6] to install bracket-2 [2], and then use four nuts [7] to lock them.



4. Install two nuts [7] and two screws [8] to lock bracket-2 [2] and bracket-3 [3], bracket-4 [4] and bracket-1[1].

# TOOL BOX DETAIL SHOW

FEATURES INTRODUCTION

