

PH06

Phone Holder

Product Manual

*Please thoroughly review the product manual before usage. Incorrect installation and improper usage may result in the phone dislodging from the mount, falling, damaging the mount, and consequently voiding any associated complimentary warranty services.

Product Specifications

Model: PH06

Compatible Phone Size (Including Phone Cases)

Width Range: 65-92mm/2.56-3.62in Length Range: 125-169mm/4.92-6.65in Thickness Range: \leq 12.5mm/0.49in

Input Voltage: 12-16V

Wireless Charging Output Power: 15W(MAX)

Wired Charging Output Power: 36W(MAX)

Protection Features: Reverse Connection Protection / Short Circuit Protection / Overvoltage Protection / Overcurrent Protection / Overcharge Protection / Undervoltage Protection / Over-temperature Protection / Foreign Object Detection Protection

Vibration Damping Structure: Multiple vibration dampening

Packing List

①



Quantity: 1 piece

Standard Mobile
Phone Holder

②



Quantity: 1 piece

Handlebar Clamp

③



Quantity: 1 piece

M6 Anti-
loosening Nut

④



Quantity: 1 piece

Nut M6 Gasket

5



Quantity: 1 piece

22mm/0.87in
Clamp Liner

6



Quantity: 1 piece

25mm/1in
Clamp Liner

7



Quantity: 1 piece

28mm/1.1in
Clamp Liner

8



Quantity: 1 piece

32mm/1.25in
Clamp Liner

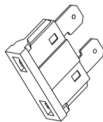
9



Quantity: 1 piece

Screw Glue

10



Quantity: 1 piece

Spare Fuse (10A) (for wireless charging module)

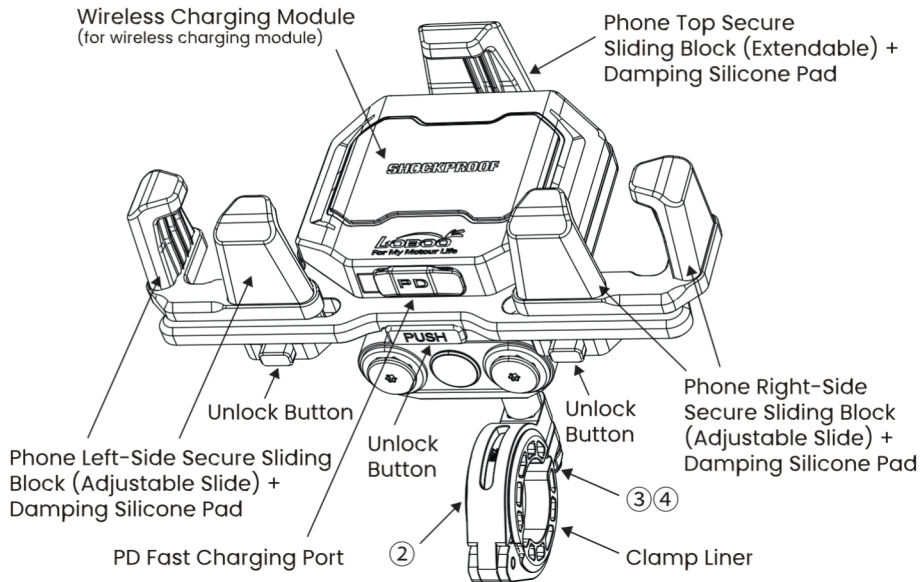
11



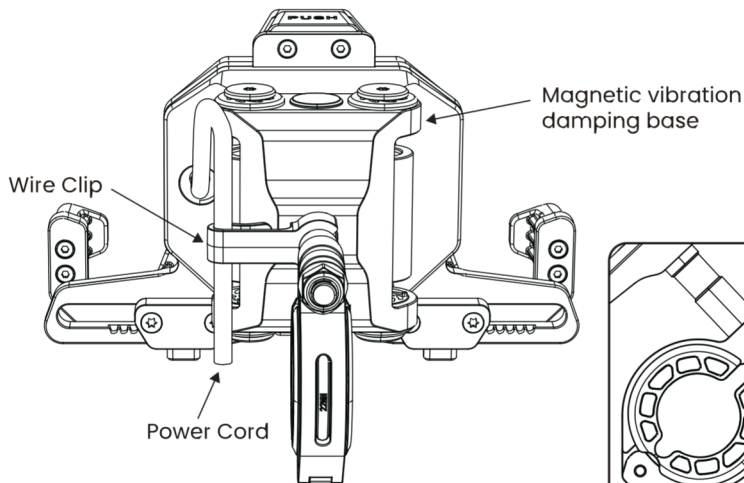
Quantity: 8 pieces

Cable Ties (for wireless charging module)

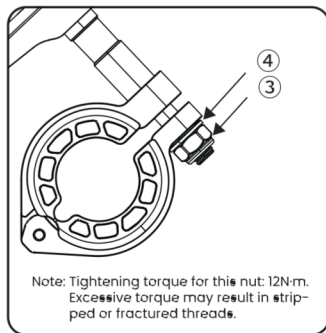
Product Diagram



Product Diagram



Note: The power cord needs to be clamped into the clip (9-11cm/3.54-4.33in from the outlet to the clip).



Note: Tightening torque for this nut: 12N·m.
Excessive torque may result in stripped or fractured threads.

Wireless Charging Module Wiring Diagram

Fuse Box

10A

" + "Symbol, Connect Red Wire to Positive Terminal

" ACC "Symbol, Connect Yellow Wire to ACC

" - "Symbol, Connect Black Wire to Negative Terminal

ACC refers to the 12V-15V wire on the motorcycle that powers on (Long-time power-on) when the ignition key is turned on and powers off (Long-time power-off) when the ignition key is turned off.

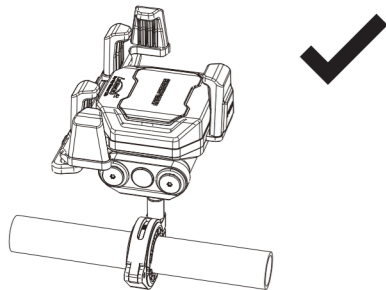
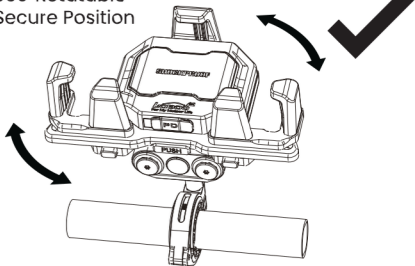
Installation and Usage, ACC Detection Video



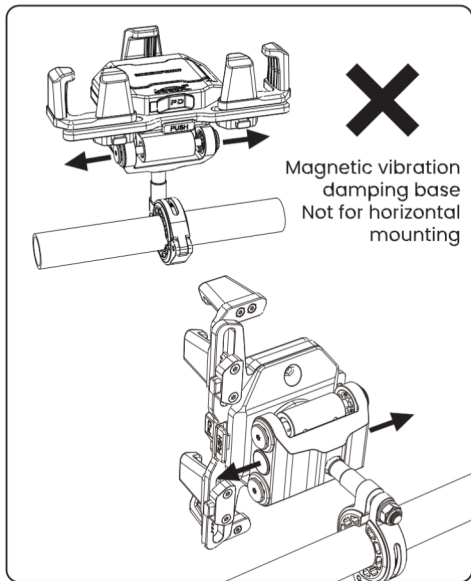
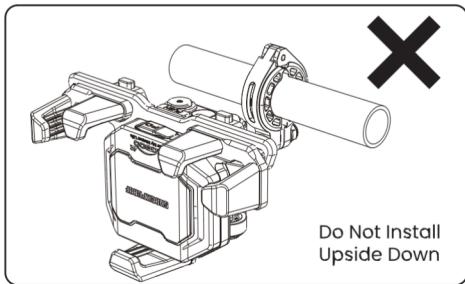
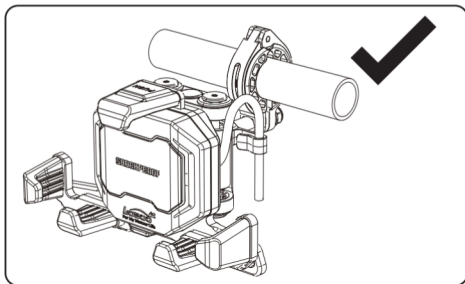
Scan QR Code to Watch Video

Installation Diagram

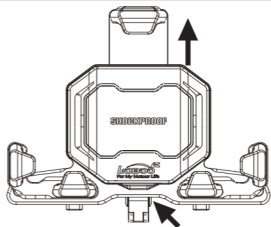
360°Rotatable
Secure Position



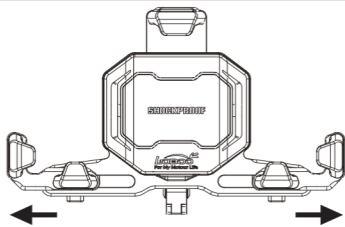
Installation Diagram



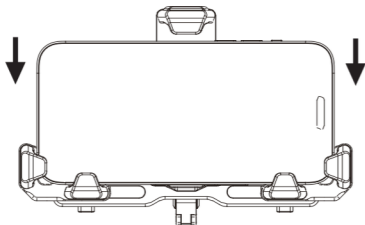
Usage



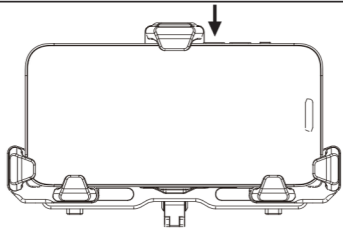
1. Press the center unlock button to pop up the top retaining sliding block.



2. Press and hold the left and right fixed sliding block unlock button to adjust the width.



3. Place your phone into the mount.



4. Adjust the left and right fixed sliding block to fit the phone, and press down on the top fixed sliding block to clamp the phone.

Notes

1. This phone holder can be used for long time driving on unpaved roads, if you need to use it for jumping, racing, high intensity off-road, etc., please pay attention to check that the slider is sufficiently clamped .
2. Please adjust the positions of the left and right sliding block correctly. The gap between the left and right sliding block and the phone should not exceed 0.5mm/0.02in. Incorrect adjustment can cause the phone to detach and fall from the mount.
3. When changing to a phone of a different model or size, readjust the positions of the left and right sliding block as well as the top sliding block.
4. Regularly inspect all screws and tighten them promptly if any looseness is observed.
5. Please check the smoothness of the top slider regularly to prevent dust or other foreign matter from accumulating and causing the slider to stall, if any of the above conditions, please clean it in time.
6. When securing the cable of the wireless charging module to the mobile phone mount, ensure that there is enough allowance for rotation. During rotation, ensure that the mobile phone mount does not interfere with other motorcycle components. Due to the presence of the wireless charging module cable on the mobile phone mount, rotating the mount in the same direction for more than 1 full turn is strictly prohibited.
7. To ensure optimal wireless charging performance, when placing the phone, please ensure that the back of the phone is as close as possible to the mobile phone mount. It is recommended to